

440TB INTERFACE C TEE CONNECTOR

Application

Separable tee shape connector (bolted type) designed to connect polymeric insulated cable to equipment (transformers, switchgear, motors, ...). Also connects cable to cable when using the appropriate mating parts.

Technical characteristics

- The thick conductive EPDM jacket provides a total safe to touch screen which ensures safety for personnel.
- Each separable connector is tested for AC withstand and partial discharge prior to leaving the factory.

Up to 41.5 kV
630 A (1250 A)

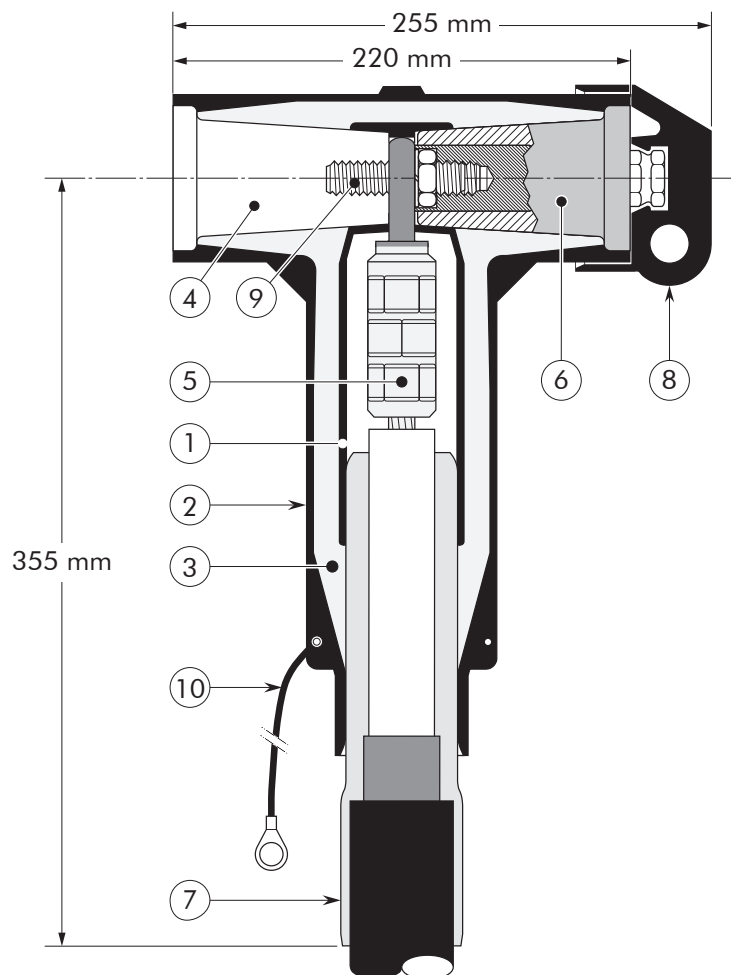
6/10	(12)	kV
6.35/11	(12)	kV
8.7/15	(17.5)	kV
12/20	(24)	kV
12.7/22	(24)	kV
18/30	(36)	kV
19/33	(36)	kV
20.8/36	(41.5)	kV

Design

Separable connector comprising:

- Conductive EPDM insert.
- Conductive EPDM jacket.
- Insulating EPDM layer moulded between the insert and the jacket.
- Type C - 630 A interface as described by CENELEC EN 50180 and 50181.
- Conductor connector.
- Basic insulating plug (with VD point).
- Cable reducer.
- Conductive rubber cap.
- Clamping screw.
- Earthing lead.

The screen break design enables cable outer sheath testing without removing or dismantling the connector.



Specifications and standards

The 440TB separable connector meets the requirements of CENELEC HD 629.1.

Separable connector type	Voltage U_m (kV)	Current I_r (A)	Current I_r (A) When installed on an appropriate equipment bushing	Conductor sizes (mm ²)	
				min	max
440TB/G	12	630	1250	185	630
K440TB/G	24	630	1250	185	630
M440TB/G	36	630	1250	185	630
P440TB/G	41.5	630	1250	185	630

