

# 400TB INTERFACE C TEE CONNECTOR

**Up to 42 kV  
630 A (800 A)**

6/10	(12)	kV
6.35/11	(12)	kV
8.7/15	(17.5)	kV
12/20	(24)	kV
12.7/22	(24)	kV
18/30	(36)	kV
19/33	(36)	kV
20.8/36	(42)	kV

## Application

Separable tee shape connector (bolted type) designed to connect polymeric insulated cable to equipment (transformers, switchgear, motors, ...). Also connects cable to cable when using the appropriate mating parts.

## Technical characteristics

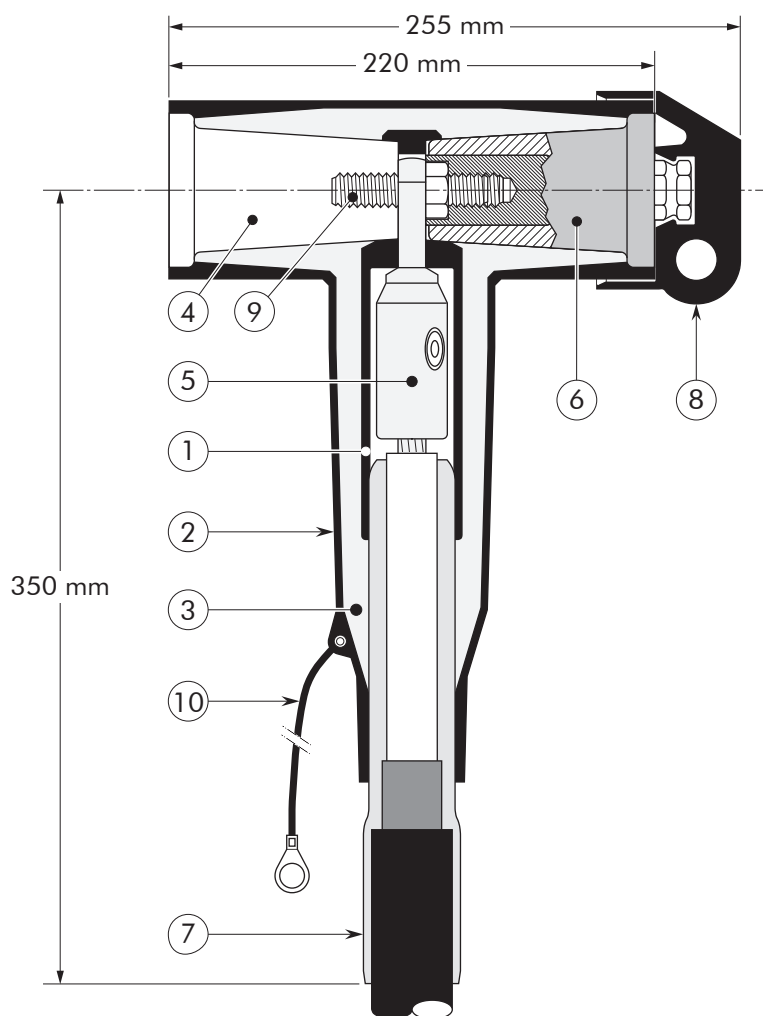
- The thick conductive EPDM jacket provides a total safe to touch screen which ensures safety for personnel.
- Each separable connector is tested for AC withstand and partial discharge prior to leaving the factory.

## Design

Separable connector comprising:

1. Conductive EPDM insert.
2. Conductive EPDM jacket.
3. Insulating EPDM layer.
4. Type C - 630 A interface as described by CENELEC EN 50180 and 50181.
5. Conductor connector.
6. Basic insulating plug (with VD point).
7. Cable reducer.
8. Conductive rubber cap.
9. Clamping screw.
10. Earthing lead.

The screen break design enables cable outer sheath testing without removing or dismantling the connector.



## Specifications and standards

The 400TB separable connector meets the requirements of CENELEC HD 629.1 S1.

Separable connector type	Voltage $U_m$ (kV)	Current $I_r$ (A)	Current $I_r$ (A)	
			min	max
400TB/G	12	630	800	300
K400TB/G	24	630	800	300
M400TB/G	36	630	800	240
P400TB/G	42	630	800	240

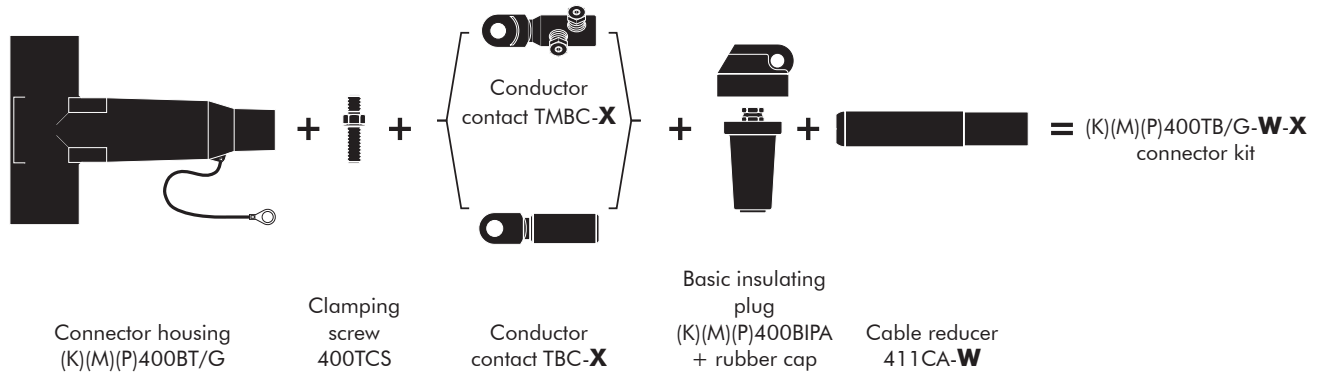
When installed on an appropriate equipment bushing and when using a copper (-11-2) or a bolted (-12-5 or -14-5) conductor contact

08/2011

## Kit contents

The complete (K)(M)(P)400TB/G tee connector kit comprises the following components:

The kit also comprises silicone grease, field control mastic, installation instructions and crimp chart.



## Ordering instructions

To order the tee connector, select the ordering part number which gives you the best centring of your core insulation diameter and substitute **X** using table X, according to your conductor size and type. Add a 'K' for use up to 24 kV, add an 'M' for use up to 36 kV, add a 'P' for use up to 42 kV.

### Example:

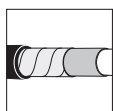
The copper wire screened cable is 36 kV, 150 mm<sup>2</sup> stranded copper with a diameter over core insulation of 32.5 mm. Order a M400TB/G-27-150(K)M-11-2 tee connector kit.

Table W

Ordering part number	Dia. over core insulation (mm)	
	min	max
400TB/G-11-X	12.0	17.5
400TB/G-15-X	16.0	22.0
400TB/G-19-X	20.0	26.5
400TB/G-22-X	23.5	31.0
400TB/G-25-X	26.5	32.5
400TB/G-27-X	28.5	37.5

Table X

Conductor sizes (mm <sup>2</sup> )	Aluminium conductor		Aluminium and copper conductor	Copper conductor
	DIN hexagonal	Deep indent	Bolted	DIN hexagonal
35	35(K)M-10-2	35KM-10-1	16.95-14-5	35(K)M-11-2
50	50(K)M-10-2	50(K)M-10-1		50.150-14-5
70	70(K)M-10-2	70(K)M-10-1	95.240-14-5	
95	95(K)M-10-2	95(K)M-10-1		120.300-14-5
120	120(K)M-10-2	120(K)M-10-1		
150	150(K)M-10-2	150(K)M-10-1		150(K)M-11-2
185	185(K)M-10-2	185(K)M-10-1		185(K)M-11-2
240	240(K)M-10-2	240(K)M-10-1		240(K)M-11-2
300	300(K)M-10-2	-		300(K)M-11-2



For use with copper tape screened cables. Order: Kit MT.



For use with other cable types. Please contact our representative.



For applications outdoors and in humid climate. Order: +MWS.



For use in potentially explosive atmospheres (for 12 kV max). Add -/ATEX to part number.



Components can be ordered individually.



When installed on an appropriate equipment bushing: 800 A continuously

Calle Privada de Pimentel #6306 Colonia Lagos

Ventas1@serviciosintegralesmineros.com

Telefonos: (614) 306 20 56 o 335 03 27

Web: www.simmexico.com.mx

Chihuahua, Chihuahua, México.